

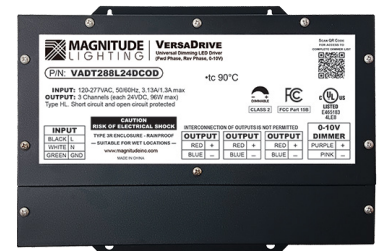
MAGNITUDE VERSADRIVE

**300W, 1-Channel, Class 1
 288W, 3-Channel, Class 2
 5-Way Universal Dimming
 24V LED Driver**

Specification Sheet

Key Features

- ▶ 5-way universal dimming
- ▶ Smooth flicker-free dimming, down to 1%
- ▶ Compatible with high density LED & COB products
- ▶ Universal input voltage – 120 to 277VAC
- ▶ Constant power overload protection
- ▶ Wire connectors pre-installed
- ▶ UL rated for wet locations
- ▶ 5-year warranty



Description: Constant voltage dimmable LED driver
Installation: Integrated junction box with multiple 7/8" knockouts

300W Driver Type: 1-Channel, Class 1

288W Driver Type: 3-Channel, Class 2

Dimming: 5-way dimming: forward phase (MLV), reverse phase (ELV), 0-10V, PWM, and potentiometer

Output Dimming Method: Uses PWM method for dimmed low voltage output

Flicker: Meets California Title 24 / JA8

Input Voltage: Universal 120VAC to 277VAC, 50/60Hz

Output Voltage: 24VDC

Wattage: 300W and 288W (3 x 96W)

Enclosure Rating: NEMA 3R

Listing: UL listed, wet location

Certifications: UL8750, FCC Consumer Limits (Class B)

Warranty: 5-Year

Width	9.9" (252mm)
Overall Height	7.6" (193mm)
Height	6.4" (163mm)
Depth	1.9" (48.3mm)



120 - 277V

24VDC

MEETS TITLE 24/JA8 REQUIREMENTS



SELV

ORDERING GUIDE

1-Channel	Max Power	Listing	Output	Enclosure Type
VAD	300 – 300W	L – UL Listed	24DC – 24VDC	OD – NEMA 3R
3-Channel	Max Power			
VADT	288 – 288W			

MAGNITUDE VERSADRIVE

300W, 1-Channel, Class 1
288W, 3-Channel, Class 2
5-Way Universal Dimming
24V LED Driver

Specification Sheet

Customer Service

Phone: (714) 312-5080

Fax: (714) 312-5070

E-mail: CustomerCare@magnitudeinc.com

SPECIFICATIONS

Input	300W	288W
Input Voltage Range	120 to 277VAC ± 10%	120 to 277VAC ± 10%
Input Frequency	50 / 60Hz	50 / 60Hz
Input Current	3.0A @ 120V, 1.8A @ 277V	3.0A @ 120V, 1.8A @ 277V
Inrush Current	90A @ 277V	90A @ 277V
Efficiency	91% @120V, 93% @ 277V	91% @120V, 93% @ 277V
Power Factor	277VAC, > 0.90 120VAC, > 0.90	277VAC, > 0.90 120VAC, > 0.90
THD	< 20%	< 20%
Output		
Output Voltage	24VDC	24VDC per channel
Max Load	300W	96W per channel (unloaded channels permitted)
Output Current @ Maximum Load	12.5A	4.1A per channel
Output Dimming Method	PWM	PWM
Flicker	California Title 24 / JA8	California Title 24 / JA8
Output Ripple (Peak-to-Peak)	< 5%	< 5%
Line Regulation	± 5%	± 5%
Load Regulation	± 5%	± 5%
Current Output Tolerance @ Maximum Load	N/A	± 5% @ 100% Dim
Channel-to-Channel	N/A	± 5% @ 50% Dim
Turn On Delay Time	< 0.5 sec	< 0.5 sec
Environmental		
Ambient Operating Temperature	-40°C to 50°C (-40°F to 125°F)	-40°C to 50°C (-40°F to 125°F)
Maximum Case Temp. (Tcase)	90°C (194°F)	90°C (194°F)
Storage Temperature	-40°C to +85°C (-40°F to 185°F)	-40°C to +85°C (-40°F to 185°F)
Enclosure	NEMA 3R Rated	NEMA 3R Rated
Cover Screws	Stainless Steel	Stainless Steel
Expected Lifetime	≥ 80,000 hrs @Tc ≤ 60°C	≥ 80,000 hrs @Tc ≤ 60°C
Dimming		
Dimming Style	Phase-Cut or 0-10V	Phase-Cut or 0-10V
Minimum Dimming Level	1%	1%
Minimum Load for Dimming	40W	20W per Channel
Dimming Curve	Linear	Linear
Protection		
Over Current Protection	Yes	Yes
Over Voltage Protection	Yes	Yes
Over Temperature Protection	Yes / Auto-Recovery	Yes / Auto-Recovery
Overload Protection	Yes / Current Limit	Yes / Current Limit
Short Circuit Protection	Yes / Auto-Recovery	Yes / Auto-Recovery
Connectors		
Lever Style Connectors	Pre-installed, all wire leads	Pre-installed, all wire leads
Listing	UL Listed	UL Listed

MAGNITUDE VERSADRIVE

300W, 1-Channel, Class 1
 288W, 3-Channel, Class 2
 5-Way Universal Dimming
 24V LED Driver

Specification Sheet

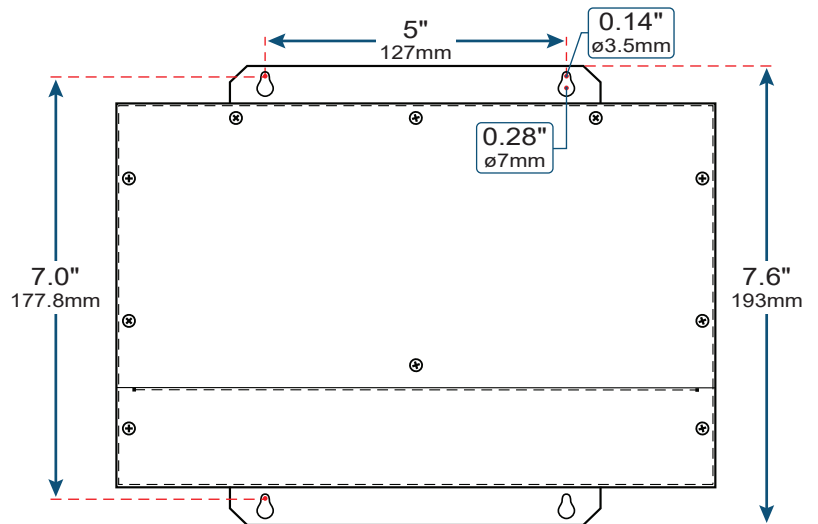
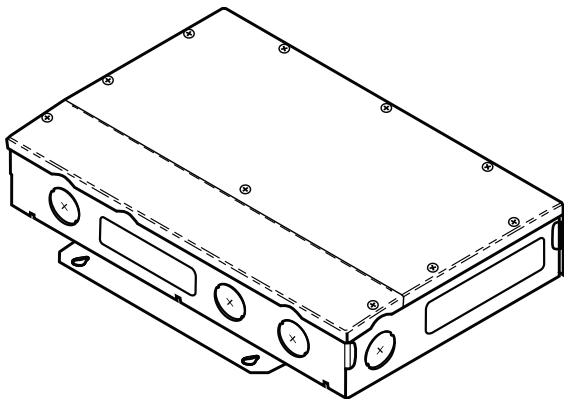
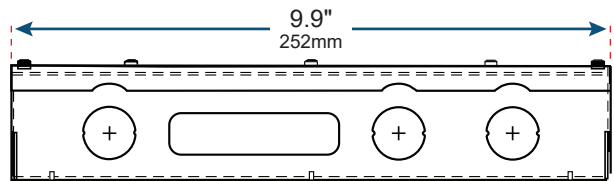
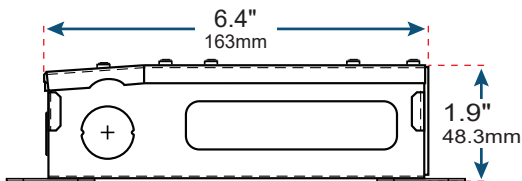
Customer Service

Phone: (714) 312-5080

Fax: (714) 312-5070

E-mail: CustomerCare@magnitudeinc.com

MECHANICAL DIAGRAMS



MAGNITUDE VERSADRIVE

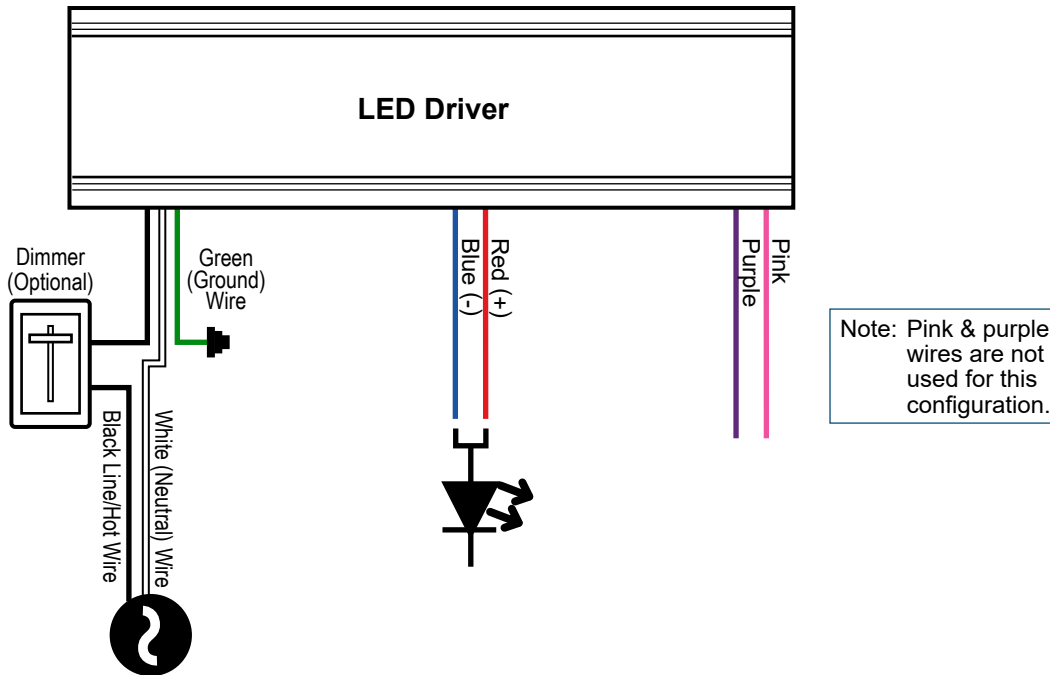
300W, 1-Channel, Class 1
288W, 3-Channel, Class 2
5-Way Universal Dimming
24V LED Driver

Specification Sheet

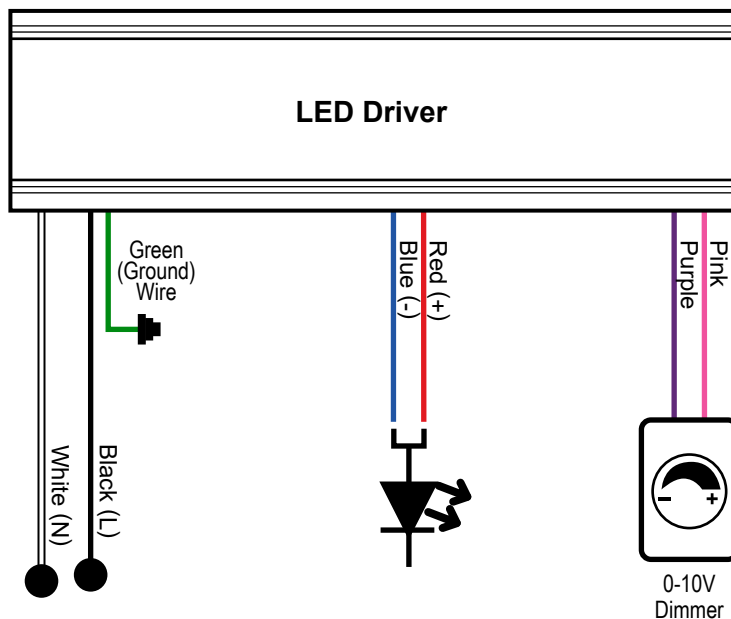
Customer Service
Phone: (714) 312-5080
Fax: (714) 312-5070
E-mail: CustomerCare@magnitudeinc.com

WIRING DIAGRAMS (300W)

▼ Phase-Cut Dimmable Configuration ▼



▼ 0-10V Dimmable Configuration ▼



MAGNITUDE VERSADRIVE

300W, 1-Channel, Class 1
 288W, 3-Channel, Class 2
 5-Way Universal Dimming
 24V LED Driver

Specification Sheet

Customer Service

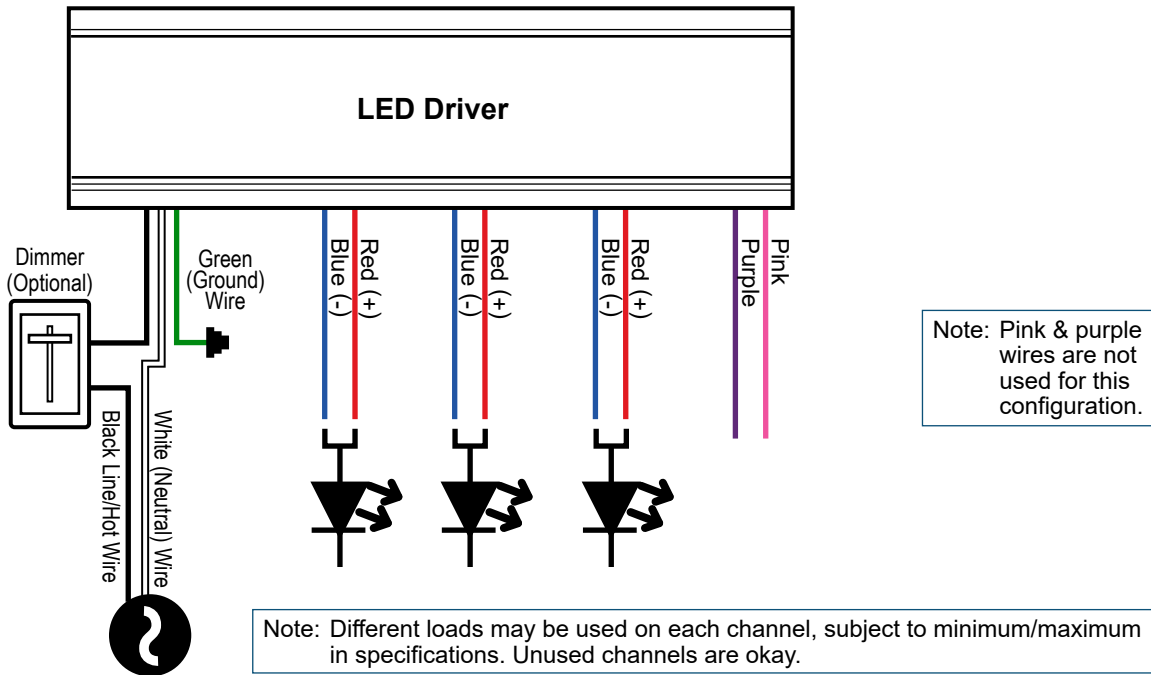
Phone: (714) 312-5080

Fax: (714) 312-5070

E-mail: CustomerCare@magnitudeinc.com

WIRING DIAGRAMS (288W)

▼ Phase-Cut Dimmable Configuration ▼



▼ 0-10V Dimmable Configuration ▼

