

- PMMA opal matte cover
- PMMA semi-clear cover
- PC diffused cover



Aluminium End Cap without hole



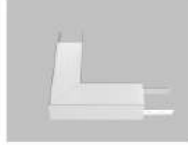
Connector T



Connector X



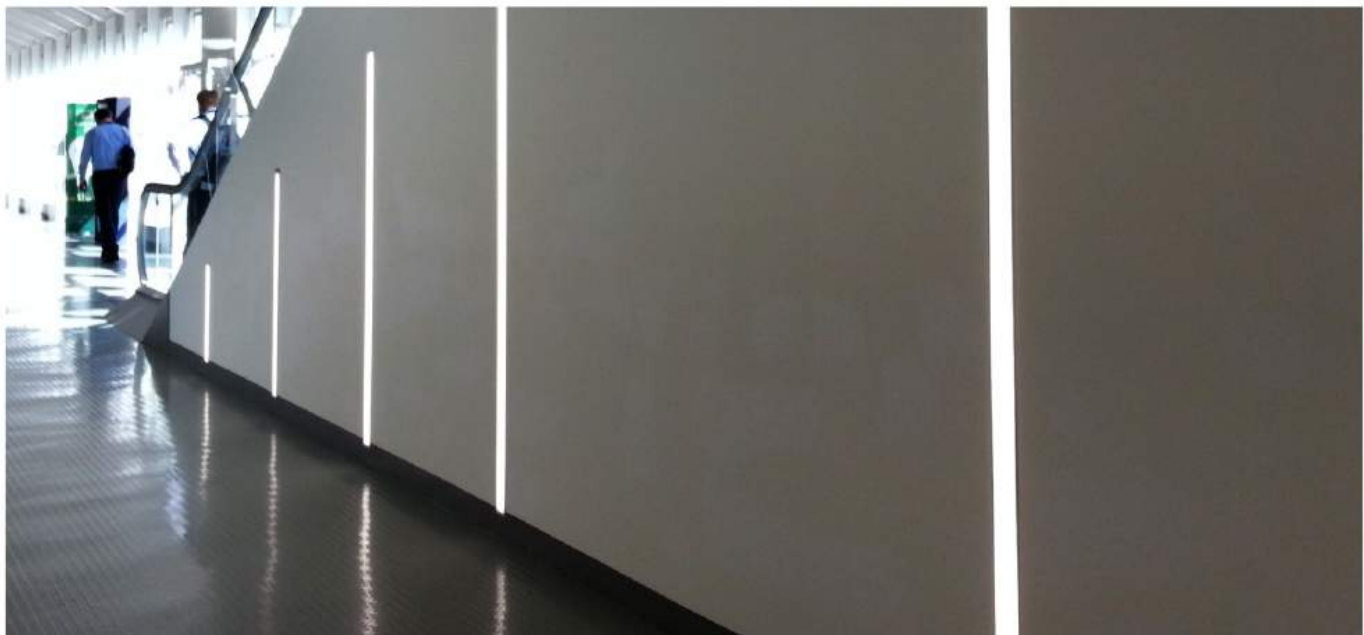
Spring clip

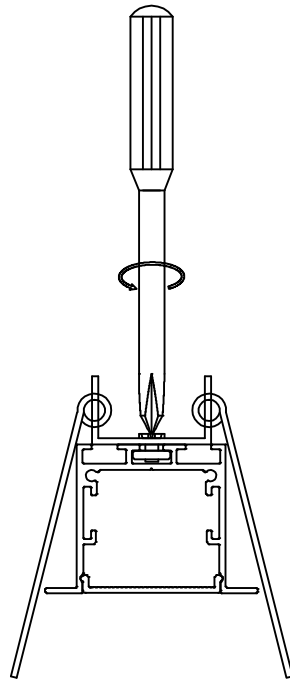


Connector L

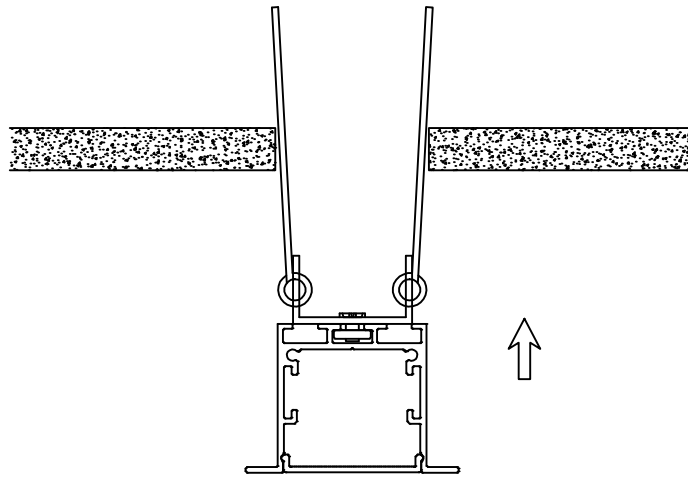


Connector IL

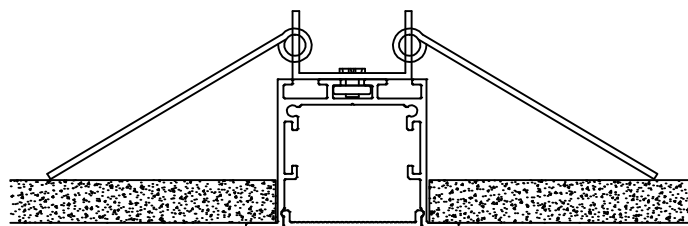




STEP1



STEP2



STEP3