

COMMERCIAL LIGHTING DEVICES



LED Industrial Shop Light Luminaires

Great Features/Benefits

LED Industrial Shop Lights are designed as a direct replacement for traditional fluorescent shop lights in both commercial and residential applications.

TCP offers a cost effective solution to maximize energy and maintenance savings over traditional fluorescent installations by combining long life and outstanding efficacy, up to 100 LPW. These LED luminaires instantly deliver brilliant white light with a traditional looking design.

- Energy efficient design delivers up to 100 LPW
- Long life: 50,000 hours
- 120V 6' cord with plug-in minimize installation time
- Built in On/Off pull chain
- Linkable: Connect up to 10 lights together with seamless connectors or connector cords
- Ideal for:
 - Utility and Stock Rooms
 - Garages and Basements
 - Stock rooms and garages
 - Work Shops
 - Open Ceiling Designs

ETL CLASSIFIED



5 YEAR
WARRANTY

we know light.™

LED Industrial Shop Light

Applications

This product is ideal for use in many indoor applications such as stock rooms, work shops, commercial facilities, garages, or any open ceiling design.

Construction

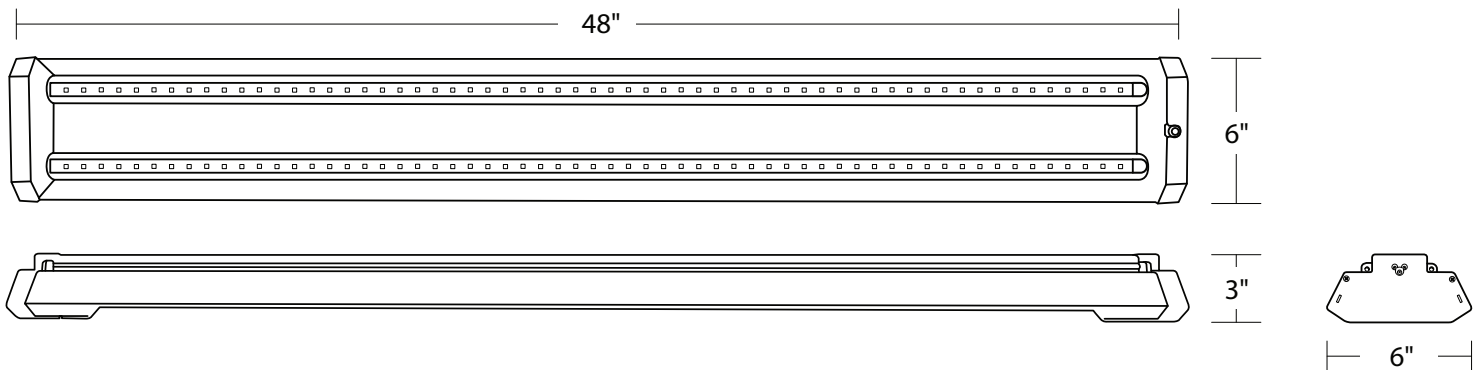
- Steel housing
- Built in pull chain
- Standard 120V plug and 6ft cord
- Mounting Chains included
- Operating temperature: -20°C - 40°C

Electrical

- ETL/CETL damp location rated
- System rated for long 50,000 hour life
- Efficiently delivers 100 LPW
- Easy connector for linking up to 10 luminaires



<p>Warranty Five year limited warranty against defects in manufacturing.</p>	<p>Listings ETL and CETL listed RoHS Compliant</p>
---	---



For the most up-to-date specs and warranty information, please visit www.tcpi.com

ITEM #	DESCRIPTION	DLC	LUMENS	WATTAGE	LPW	VOLTAGE	POWER FACTOR	CCT	CRI	LIFE(hours)	L(in.)	H(in.)	W(in.)
LED Industrial Shop Light - 50,000 hours													
SHIN140K	40K Industrial Shop Light Pull Chain Plug		4500	42	>100	120V AC	>90	4000K	80	50000	48	3	6
SHIN150K	50K Industrial Shop Light Pull Chain Plug		4500	42	>100	120V AC	>90	5000K	80	50000	48	3	6

COMMERCIAL LIGHTING DEVICES
 188 South Service Rd Stoney Creek, Ontario L8E 3H6
 905 662 9526 cld@cldinc.ca www.cldinc.ca