

# COMMERCIAL LIGHTING DEVICES

## LED Linear Low Bay

### Applications

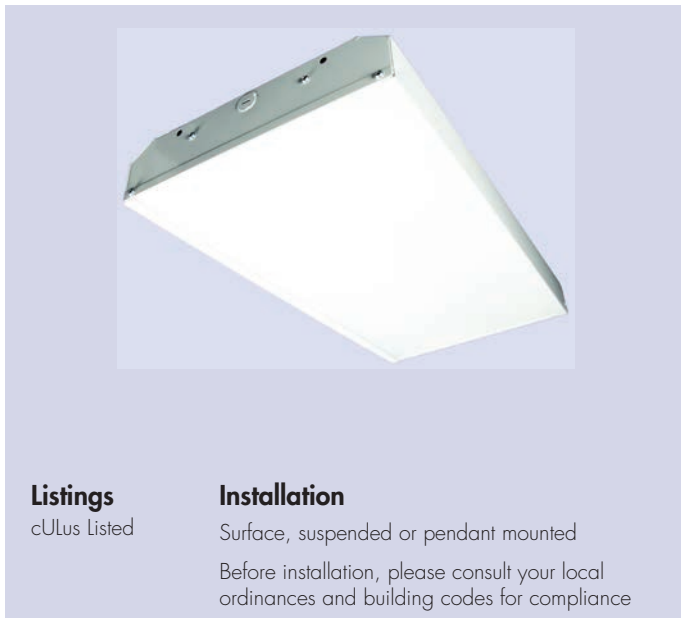
The LB by TCP LED Low Bay family is a versatile solution for endless applications. With an all metal frame, and included mounting hardware, the LB by TCP is quick to install and will provide a long lasting durable light source for years to come. For use in low ceiling locations in commercial, industrial, retail, or warehouse settings.

### Features

- Post painted steel frame with no scalloping and pop riveted and rounded edge corners
- Standard frosted lens for glare control
- No shadows, smooth even lighting
- Damp location rated
- 0-10V smooth no flicker dimming
- Operating temperature: -4° to 122°F
- Wide beam spread due to angled LED design providing clean cut off

### Hardware Included

- 2 Top Hangers
- 5' Jack Chains
- Hub Mount Kit for 3/4" Conduit/Stem Mount
- 6-Foot Pre-wired Cord



#### Listings

cULus Listed

#### Installation

Surface, suspended or pendant mounted

Before installation, please consult your local ordinances and building codes for compliance

## Catalog Ordering Matrix Example: LB5600135

LB	56	001		
FAMILY	WATTS <sup>12</sup>	VOLTAGE	COLOR TEMPERATURE	OPTIONS
LB – LED Linear Low Bay	56 – 6700 Lumens	001 – 120-277V	35 – 3500K 40 – 4000K 50 – 5000K	(see below)

#### Accessories:

Item Number	Description
GYZJ00001	Quick Snap Motion Sensor (available pre-assembled or in box)

<sup>1</sup> Actual wattage may differ by +/- 10%.

<sup>2</sup> Approximate lumen output. Actual performance may vary based on CCT, options selected and end user application.

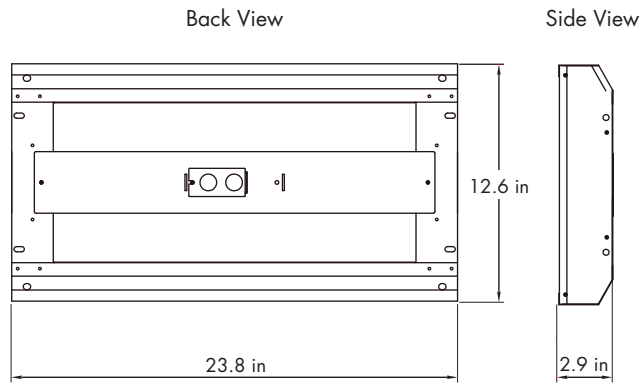
Items will be in QLS Packaging.



5 YEAR WARRANTY

# LED Linear Low Bay

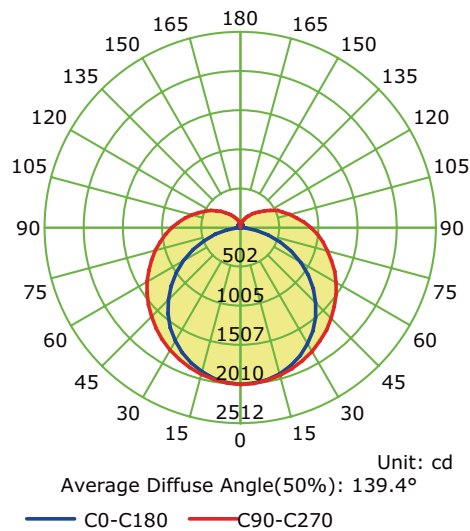
## Dimensions



**LB56**  
(23.8 x 12.6 inches)

## Photometric Report

### LB56001 Luminous Intensity Distribution Curve



5 YEAR WARRANTY

Specifications and dimensions subject to change without notice.

**COMMERCIAL LIGHTING DEVICES**  
188 South Service Rd Stoney Creek, Ontario L8E 3H6  
905 662 9526 cld@cldinc.ca www.cldinc.ca