

COMMERCIAL LIGHTING DEVICES

LED General Purpose Strip LUMINAIRES



Limitless Options
for the following applications:

TCP's LED General Purpose Strip Luminaires are designed to efficiently deliver robust performance while maximizing savings.

These integrated LED luminaires significantly reduce energy consumption compared to fluorescent systems, providing instant energy savings along with the ability to take advantage of potential utility rebates. A long 50,000 hour rated life significantly decreases maintenance labor and material costs over the life of the fixture.

TCP's General Purpose Strip incorporates a ribbed, frosted white diffuser lens to protect the LEDs and minimize glare, while delivering bright, uniform light.

- General Lighting
- Task Lighting
- Aisles
- Warehouses
- Storage
- Manufacturing Facilities
- Retail



5 YEAR
WARRANTY

we know light.™

LED General Purpose Strip Luminaires

Features/Benefits

Up to 58% less energy than traditional fluorescent systems	Instant energy savings and potential rebate eligibility
Long 50,000 hour rated life	Minimizes replacements and labor costs
Excellent color consistency & CRI	Enhances color of focal point while maintaining uniformity throughout lighting installation
0-10V dimming driver comes standard	Smooth, continuous dimming
Mercury free	Great for all environments
Easy to install—surface mount, suspended or pendant	Easy installation and retrofit application

Specifications

Input Line Voltage	120-277V
Input Line Frequency (Hz)	50/60HZ
Lumens / Wattage	A Package – 2 ft: 2600 (20W), 4 ft: 4200 (32W), 8 ft: 8500 (65W) B Package – 4 ft: 2300 (18W), 8 ft: 4900 (38W) E Package – 4ft 5200L (40W)
Lumens per Watt (LPW)	>130
Color Temperature (CCT)	3500K, 4000K & 5000K
Dimming	0-10V (standard)
Controls	Occupancy sensor w/ daylight harvesting (optional)
Rated Life	>50,000 hours
Operating Temperature	-20°C to 50°C
CRI	80+
Power Factor	>0.9
THD	<20%

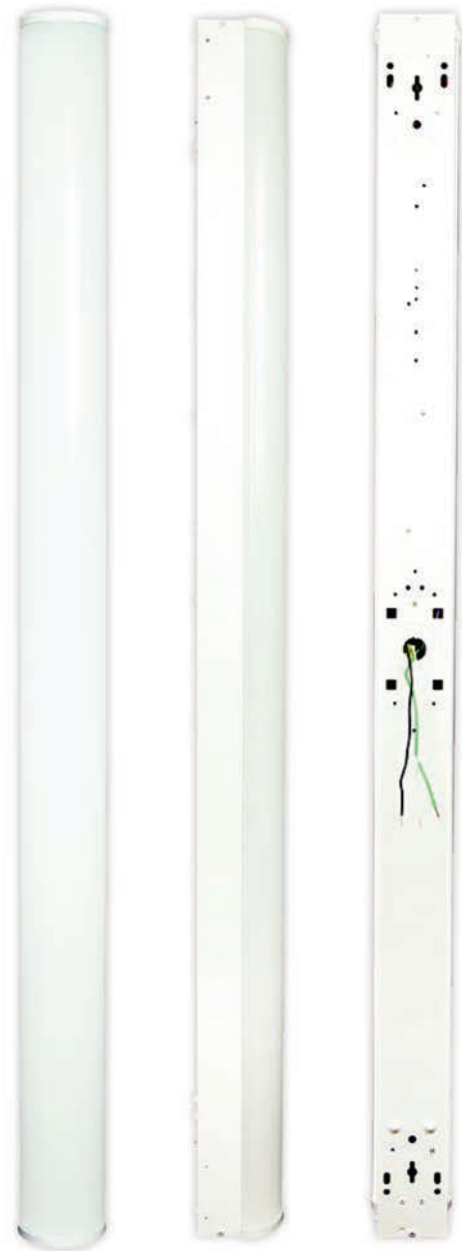
Warranty

Five year limited warranty against defects in manufacturing

Replacement Comparison

System	Ballast Factor	Input Watts*	LED Energy Savings
TCP LED Strip Luminaire – 2 FT		20W	
2 Lamp 17W T8	1.0	33	39%
TCP LED Strip Luminaire – 4 FT		32W	
2 Lamp 32W HBF	1.18	65	51%
2 Lamp 32W NBF	0.88	59	46%
TCP LED Strip Luminaire – 8 FT		65W	
4 Lamp 32W T8 HBF	1.18	153	58%
4 Lamp 32W T8 NBF	0.88	112	42%

*Actual wattage may differ by +/-10% when operating between 120-277V.



5 YEAR WARRANTY



Not all versions of this product are qualified on the DLC QPL. To view our DLC qualified products, please consult the DLC Qualified Products List at www.designlights.org/qpl.

LED General Purpose Strip Luminaires

LED TECHNICAL DATA

Applications

TCP's LED General Purpose Strip Luminaire deliver bright, uniform light and long life, with the benefits of energy savings and low maintenance. Applications include general lighting, task lighting, aisles, warehouses, storage, manufacturing facilities and retail spaces.

Construction

- Visually appealing slim, low-profile design
- Heavy duty aluminum housing
- Durable UV stabilized powder coat finish
- Easy surface mount, suspended or pendant installation

Electrical

- Universal 120-277V
- 0-10V dimming (standard)
- Long 50,000 hour rated life
- cULus damp location rated
- Optional emergency back-up
- Optional occupancy sensors with daylight harvesting (sold separately)

Optics

- Durable ribbed, frosted white diffuser lens
- Glare-free light distribution



Listings

cULus listed – damp location rated
RoHS Compliant
DLC v4.4 Premium

Warranty

Five year limited warranty against defects in manufacturing

Installation

Surface, suspended or pendant mounted
Before installation, please consult your local ordinances and building codes for compliance

Lumen Maintenance

Lumen Maintenance Factor (LMF)				
	36,000 hours ¹	50,002 hours ²	100,000 hours ²	Reported L ₇₀ (hours) ¹
TCPGPS2UZDA8xxK	90.61%	86.90%	74.82%	>36,000
TCPGPS4UZDA8xxK	90.61%	86.90%	74.82%	>36,000
TCPGPS8UZDA8xxK	90.61%	86.90%	74.82%	>36,000

¹ IESNA TM-21-11 projected value based on 6X IESNA LM-80-08 total test duration of 6,000 hours.

² IESNA TM-21-11 calculated value exceeds 6X IESNA LM-80-08 total test duration of 6,000 hours.

Catalog Ordering Matrix Example: TCPGPS4UZDA840K

TCP	GPS		U	ZD		8		
BRAND	PRODUCT ID	SIZE	VOLTAGE	CONTROLS/DIMMING	LUMEN PACKAGE	CRI	COLOR TEMPERATURE	OPTIONS
TCP	GPS – General Purpose Strip	2 – 2 foot 4 – 4 foot 8 – 8 foot	U – 120V-277V	ZD – 0-10V Dimming	A	8 – 80	35K – 3500K 40K – 4000K 50K – 5000K	EB – Emergency Back-Up
TCP	GPS – General Purpose Strip	4 – 4 foot 8 – 8 foot	U – 120V-277V	ZD – 0-10V Dimming	B	8 – 80	40K – 4000K 50K – 5000K	EB – Emergency Back-Up
TCP	GPS – General Purpose Strip	4 – 4 foot	U – 120V-277V	ZD – 0-10V Dimming	E	8 – 80	35K – 3500K 40K – 4000K 50K – 5000K	–

REPLACEMENT LENS: TCPGPS4LENS – GP Strip and Retrofit Lens 4FT Section.
(ordered separately)

AVAILABLE CONTROLS: **LS1** – Leviton Occupancy Sensor w/bracket and interchangeable lenses, 40' or less, 120V, 277V, or 347V.
LS1D – Leviton Occupancy Sensor w/Daylight Harvesting – PIR, 40' or less, 120V-277V.

Performance Data

LUMEN PACKAGE	ITEM #	WATTAGE ¹	LUMENS ²	LPW	CRI	DIMENSIONS
A	TCPGPS2UZDA8xxK	20	2600	>130	80+	26" x 3.35" x 3.56"
	TCPGPS4UZDA8xxK	32	4200	>130	80+	48" x 3.35" x 3.56"
	TCPGPS8UZDA8xxK	65	8500	>130	80+	96" x 3.35" x 3.56"
B	TCPGPS4UZDB8xxK	18	2300	>130	80+	48" x 3.35" x 3.56"
	TCPGPS8UZDB8xxK	38	4900	>130	80+	96" x 3.35" x 3.56"
E	TCPGPS4UZDE8xxK	40	5200	>130	80+	48" x 3.35" x 3.56"

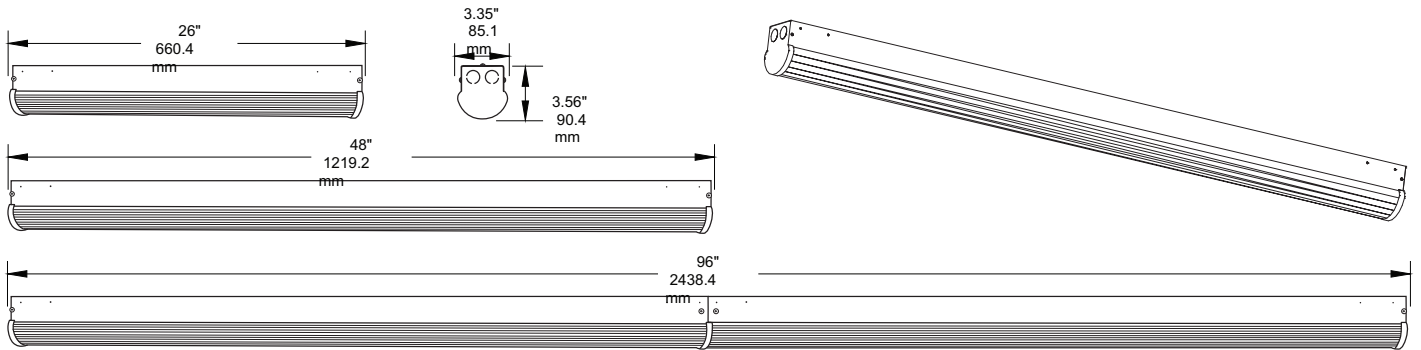
¹ Actual wattage may vary by +/- 10%.

² Approximate lumen output. Actual performance may vary based on CCT, options selected and end user application.

LED General Purpose Strip Luminaires

LED TECHNICAL DATA

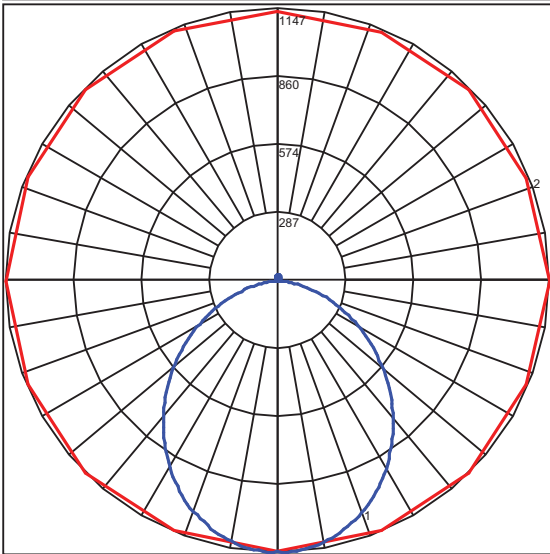
Dimensions and Mounting Data



Photometric Report

Based on photometric data for
TCP Item # TCPGPS4UZDA850K

Polar Graph



Maximum Candela = 1147.2 Located At Horizontal Angle = 0, Vertical Angle = 1
1 - Vertical Plane Through Horizontal Angles (0 - 180) (Through Max. Cd.)
2 - Horizontal Cone Through Vertical Angle (1) (Through Max. Cd.)

Coefficients of Utilization – Zonal Cavity Method

Effective Floor Cavity Reflectance 0.20

RC	80				70				50			30			10			0
RW	70	50	30	10	70	50	30	10	50	30	10	50	30	10	50	30	10	0
0	116	116	116	116	112	112	112	112	105	105	105	98	98	98	91	91	91	88
1	104	98	93	89	100	95	90	86	88	85	81	82	79	77	77	75	72	69
2	94	85	77	71	90	82	75	69	76	71	66	71	67	62	67	63	59	56
3	85	74	65	58	82	71	63	57	67	60	54	62	57	52	58	54	50	47
4	78	65	56	49	75	63	55	48	59	52	46	55	49	44	52	47	42	40
5	71	58	49	42	68	56	48	41	53	45	40	50	43	38	47	41	37	34
6	66	52	43	36	63	51	42	36	48	40	35	45	38	33	42	37	32	30
7	61	47	38	32	59	46	37	32	43	36	30	41	34	29	39	33	28	26
8	57	43	34	28	55	42	34	28	40	32	27	37	31	26	35	30	25	23
9	53	39	31	26	51	38	31	25	36	29	24	34	28	24	33	27	23	21
10	50	36	28	23	48	35	28	23	34	27	22	32	26	21	30	25	21	19

Zonal Lumen Summary

Zone	Lumens	%Lamp	%Fixt
0-20	415.69	N.A.	10.20
0-30	878.65	N.A.	21.50
0-40	1434.12	N.A.	35.10
0-60	2550.13	N.A.	62.40
0-80	3357.43	N.A.	82.20
0-90	3610.82	N.A.	88.40
10-90	3502.91	N.A.	85.70
20-40	1018.43	N.A.	24.90
20-50	1596.47	N.A.	39.10
40-70	1571.34	N.A.	38.50
60-80	807.30	N.A.	19.80
70-80	351.97	N.A.	8.60
80-90	253.40	N.A.	6.20
90-110	299.66	N.A.	7.30
90-120	374.85	N.A.	9.20
90-130	416.03	N.A.	10.20
90-150	457.55	N.A.	11.20
90-180	474.61	N.A.	11.60
110-180	174.95	N.A.	4.30
0-180	4085.43	N.A.	100.00

Total Luminaire Efficiency = N.A.%

Specifications and dimensions subject to change without notice.

COMMERCIAL LIGHTING DEVICES
188 South Service Rd Stoney Creek, Ontario L8E 3H6
905 662 9526 cld@cldinc.ca www.cldinc.ca